

# Pearl Rotary Joints

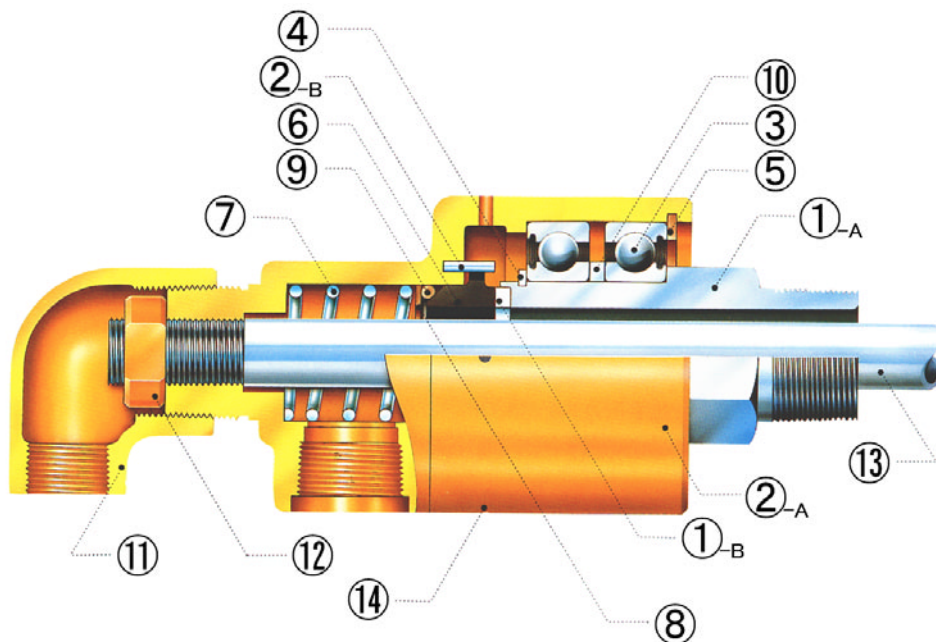
## RX Series

### FEATURES

1. RX series joints offer long trouble-free and leakproof operation with ease of maintenance due to employing ceramic seal and brass casing.
2. To secure the reliable sealing, the carbon and ceramic seal faces are lapped to an optical flatness.
3. 4 vented holes in casing enable to detect leakage before fluid corrodes the ball bearings.

**RXE type** Suited for cooling service, Lubrication free due to pre-greased ball bearings

### CONSTRUCTION



①-A. ROTOR (CARBON STEEL) ①-B. CERAMIC SEAL RING ②-A. CASING (BRASS) ②-B. PIN ③ BALL BEARINGS ④ SNAP RING ⑤ SNAP RING ⑥ CARBON SEAL ⑦ SPRING (S. STEEL) ⑧ WASHER ⑨ O-RING ⑩ SPACER ⑪ ELBOW ⑫ NUT ⑬ INTERNAL PIPE ⑭ VENT HOLES

### SERVICE CONDITIONS

|                     |   |
|---------------------|---|
| Fluid               | Water, Oil, Air, Gas  |
| Max. Temperature    | 100 degrees C   |
| Max. Pressure       | [Vacuum: Up to 13KPa abs (10 Torr) for each size]<br>10A to 25A 2.25MPa<br>32A to 40A 1.67MPa<br>50A to 80A 1.18MPa |
|                     | Air or gas: for each size<br>Max. 1.0MPa  |
| Max. Rotation Speed | 10A to 25A 3500min <sup>-1</sup><br>32A to 40A 2000min <sup>-1</sup><br>50A to 80A 750min <sup>-1</sup>             |

